

# ROLLING COUNTER **DOOR SYSTEMS**



PRODUCT LINE

METAL CURTAIN

INTEGRAL FRAME

WOOD CURTAIN

MODELS

650/651/652

655/657/658

665



INDUSTRY LEADING  
COMMERCIAL & INDUSTRIAL SOLUTIONS



## General features and benefits

### A rolling counter door for any environment

- Choice of aluminum, steel or stainless steel offers durable, attractive and versatile solutions for retail, commercial and industrial applications for openings up to 20' wide and 9' high (6096 mm and 2743 mm)
- Integral frame and sill counter doors in sizes up to 12'5" wide and 6'5" high (3785 mm and 1956 mm) provide the convenience of a factory-assembled unit and an attractive finished look
- Wood curtains in Douglas fir, red oak, white oak, birch, or exotic species for openings to 12' wide and 8' high (3658 mm and 2438 mm) complement interior design features

### Options provide design flexibility and simplify operation

- Choice of curtain materials and a variety of finish options for enhanced design flexibility
- Motor operation option and an array of operator controls simplify door operation (not available on integral frame and sill counter doors)

### Built to last

- Top-quality materials, excellent field service and optional maintenance program contribute to extended door life, low maintenance costs and maximum productivity
- Up to 24-month limited warranty

### Approximately 200 RAL Powder Coat Finishes

- The color palette specifying from powder coat finishes in approximately 200 colors is available from your Overhead Door™ Distributor. Color may also be matched to architect's specifications to best complement the look of the facility.



#### Cover image:

*Model 651, primed white*

#### Image above:

*Model 650, primed gray*



## General specifications for ROLLING COUNTER DOORS

	Metal curtain			Integral frame and sill			Wood curtain
<b>Model</b>	<b>650</b>	<b>651</b>	<b>652</b>	<b>655</b>	<b>657</b>	<b>658</b>	<b>665</b>
<b>Maximum standard width</b>	20' (6096 mm)	20' (6096 mm)	20' (6096 mm)	12'5" (3785 mm)	12'5" (3785 mm)	12'5" (3785 mm)	12' (3658 mm)
<b>Maximum standard height</b>	9' (2743 mm)	9' (2743 mm)	9' (2743 mm)	6'5" (1956 mm)	6'5" (1956 mm)	6'5" (1956 mm)	8' (2438 mm)
<b>Standard mounting</b>	face of wall	face of wall	face of wall	between jambs	between jambs	between jambs	face of wall
<b>Standard operation</b>	push up	push up	push up	push up	push up	push up	push up
<b>Curtain material</b>							
Painted steel	•					•	
Stainless steel		•			•		
Aluminum			•	•			
Wood							•
<b>Frame and sill material</b>							
Stainless steel				•	•	•	
Primed steel							
<b>Guide</b>							
Painted steel	Option	Option	Option				
Stainless steel		Option	Option	•	•	•	
Aluminum	•	•	•				
Wood							•
<b>Slat profile type</b>	F-158	F-158	F-158	integral frame and sill slat	integral frame and sill slat	integral frame and sill slat	wood slat
<b>Standard finish</b>	primed paint	No. 4 finish stainless steel	clear anodized aluminum	clear anodized aluminum	No. 4 finish stainless steel	primed paint	unfinished wood
<b>Lock</b>	Interior slide bolt	Interior slide bolt					thumbturn



Available options for ROLLING COUNTER DOORS

Model	Metal curtain			Integral frame and sill			Wood curtain
	650	651	652	655	657	658	665
Electric operator	•	•	•				•
Crank	•	•	•	•	•	•	•
Cylinder lock	•	•	•	•	•	•	•
Wood species							
Douglas Fir							•
Red Oak							•
Birch							•
White oak							•
Exotic							•

Installation and Service: Overhead Door Company of Dallas™ – Commercial



Model 652

# METAL CURTAIN – ROLLING COUNTER DOOR

## MODELS 650/651/652

These doors are ideal for a host of small-opening applications where security is important and a non-rated door is appropriate. Common applications include concession areas, cafeterias, pharmacies, parts-storage areas and ticket windows.

### Standard features at a glance

Maximum standard width	20' (6096 mm)
Maximum standard height	9' (2743 mm)
Curtain	Interlocking flat profile slats (F-158) with endlocks 650: galvanized steel (same for hood) 651: stainless steel (same for hood) 652: aluminum (same for hood)
Finish	650: galvanized steel primed with choice of baked-on polyester top coat in gray or tan 651: No. 4 stainless steel 652: Aluminum, clear anodized
Standard mounting	Face-of-wall, between jambs
Counterbalance	Helical torsion springs housed in a steel tube or pipe barrel
Brackets	Steel plate to support curtain, counterbalance and hood
Operation	Manual push-up
Lock	Interior slide bolt
Warranty	24-month limited

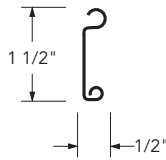
### Options

Crank or electric operation
Bronze anodized finish (652)
PowderGuard™ premium powder coat paint finish in approximately 200 standard colors, or color-matched to specification
PowderGuard™ Zinc and PowderGuard™ Weathered finishes
Vision lites 5/8" x 3"
Perforated slats
Fenestrated slats with uniformly spaced openings of 5/8" x 3" (16 mm x 76 mm)
Guides - Steel guides; stainless steel guides
Cylinder lock
Fascia and backhoods
Mullions
Bracket end covers



**Slat data**

F-158 Slat

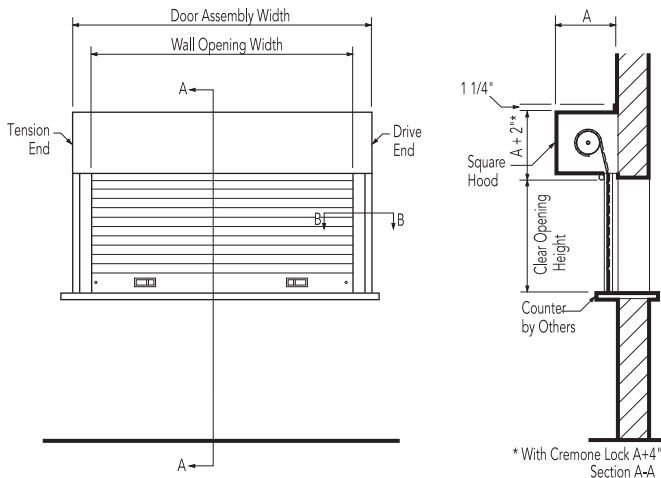


Model	Slat	Opening width	Standard
650	F-158	Thru 20'0" (6096 mm)	22-gauge galvanized steel
651	F-158	Thru 20'0" (6096 mm)	22-gauge stainless steel
652	F-158	Thru 20'0" (6096 mm)	aluminum

**Door clearance elevations**

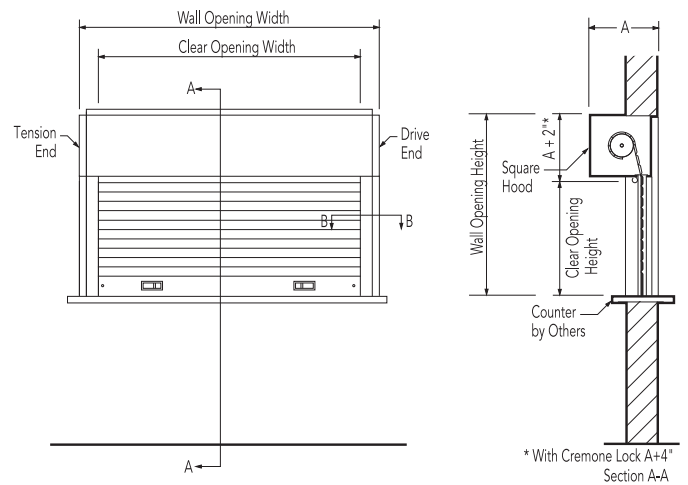
**Face-of-wall mounted**

Operation: Push-up, crank or electric



**Between jambs mounted**

Operation: Push-up, crank or electric



**Headroom clearance dimensions**

**Dimensions A F-158 slat**

Opening height	A dimension – headplate width
Thru 5'0" (1524 mm)	9 1/2" (241 mm)
Thru 8'4" (2540 mm)	11 1/2" (292 mm)

**Door selection guide**

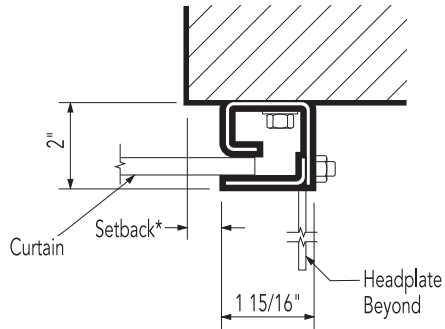
Model	650	651	652
Curtain	Galvanized steel	Stainless steel	Aluminum
Slat	F-158	F-158	F-158
Finish	Gray or Tan	#4	Clear anodized
Hood	Galvanized steel	Stainless steel	Aluminum
Guides	Aluminum/Primed steel/Stainless steel	Aluminum/Primed steel/Stainless steel	Aluminum/Primed steel/Stainless steel
Bottom bar	Primed steel	Stainless steel	Aluminum

# METAL CURTAIN – ROLLING COUNTER DOOR

## Guides

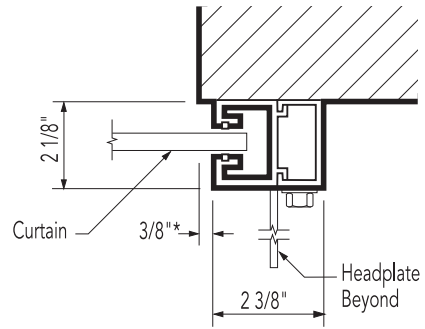
### Face-of-wall mounted

Rolled steel/stainless steel



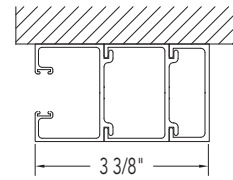
\*15/16" for masonry, wood studs, or steel studs.  
1/4" for steel jambs.

Extruded aluminum



\*All jambs

Extruded aluminum – RTM operator



Model 651

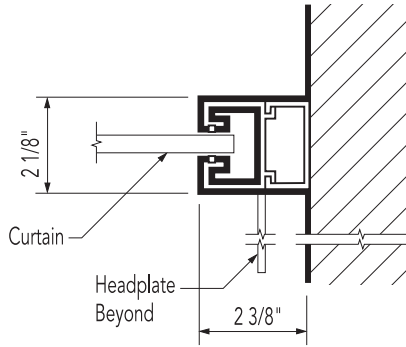




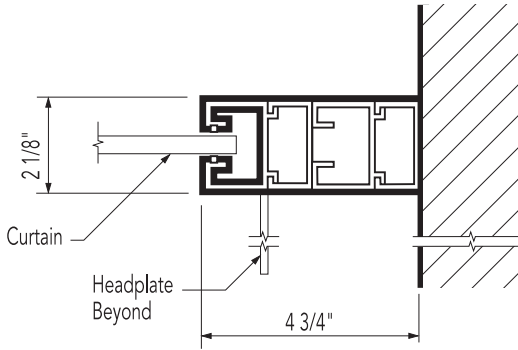
Between jambs mounted

Extruded aluminum guides

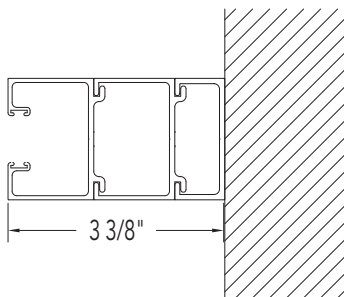
Push-up: tension & drive side  
Crank or electric:  
Tension side only



Crank or electric:  
Drive side only

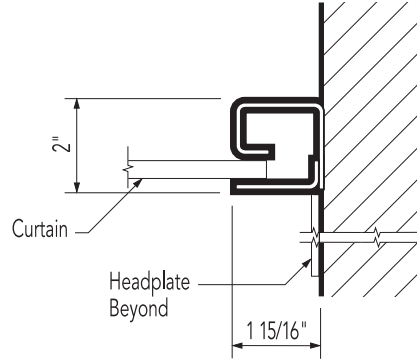


RTM operator

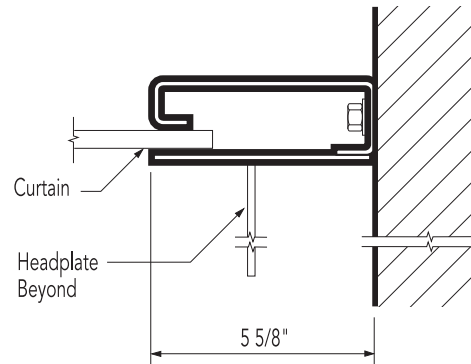


Rolled steel/stainless steel

Push-up: tension side  
Push-up: tension & drive side  
Crank or electric:  
Tension side only



Crank or electric:  
Drive side only



# INTEGRAL FRAME – ROLLING COUNTER DOOR

## MODELS 655/657/658

These models combine an attractive finished appearance with the convenience of a factory-assembled unit. Available to fit openings up to 12'5" wide and 6'5" high (3785 mm and 1956 mm), these rolling counter doors have a variety of applications, including food service areas.



### Standard features at a glance

Maximum standard width	12'5" (3785 mm)
Maximum standard height	6'5" (1956 mm)
Curtain	655: .040" (1.016 mm) aluminum slats 657: Interlocking 22-gauge stainless steel slats 658: Interlocking 22-gauge primed steel slats
Integral frames	16-gauge stainless steel
Sill	14-gauge stainless steel
Standard mounting	Between jambs
Hood	Stainless steel
Operation	Push-up
Warranty	OEM limited

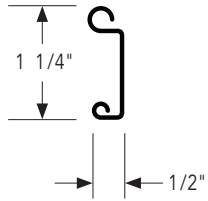
### Options

Crank operation
Cylinder locking options
Tubular bottom bar
Lintel brush seal
Guide brush seal



Slat data

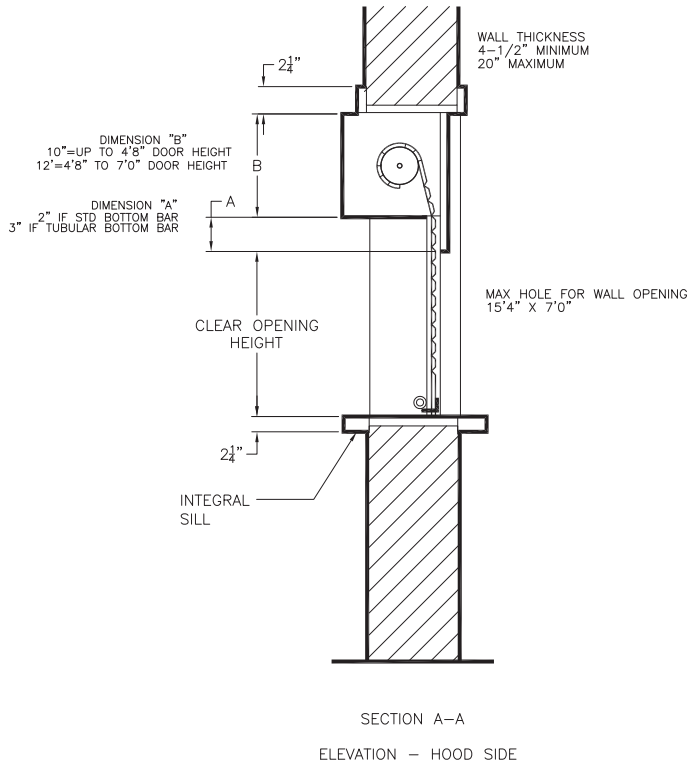
Integral Frame and Sill Slat



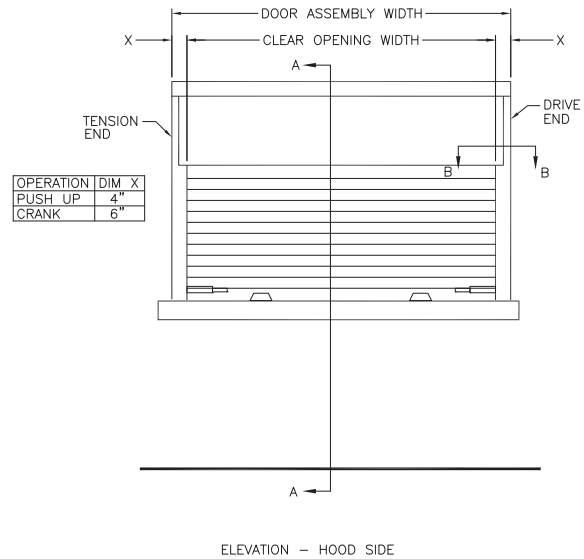
Model	Slat	Frame, sill, hood
655	Aluminum	Stainless steel
657	22-gauge stainless steel	Stainless steel
658	22-gauge galvanized steel	Stainless steel

Door clearance elevations

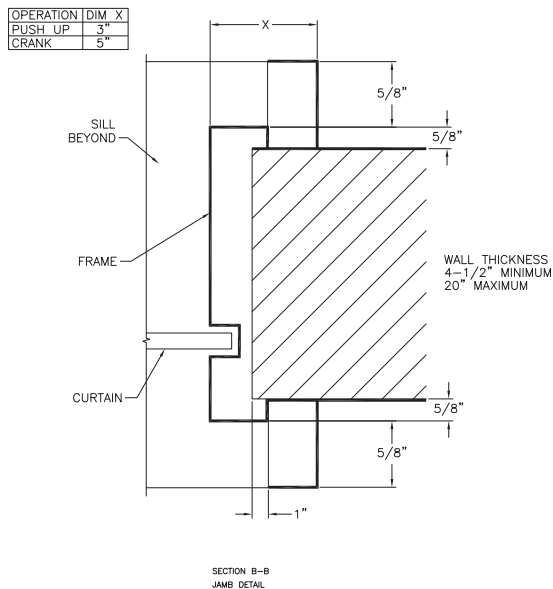
Operation: Push-up, crank



Description	Dimension
Up to 4'8" high	12"
Up to 4'8" high with tubular bottom bar	13"
4'8" to 6'5" high	14"
4'8" to 6'5" high with tubular bottom bar	15"



Jamb section



This unit is designed to be installed as wall is being built. For more detailed information go to our Architects Corner at [www.overheaddoor.com/architect-corner](http://www.overheaddoor.com/architect-corner). See your Overhead Door™ Distributor for a unit designed for existing openings.

# WOOD CURTAIN – ROLLING COUNTER DOOR

## MODEL 665

The richness of natural wood to enhance the beauty of any application. Manufactured of high-quality wood, these doors are ideal for use in hotels, banks, churches, libraries, offices, restaurants and schools.



### Standard features at a glance

Maximum standard width	12' (3658 mm)
Maximum standard height	8' (2438 mm)
Curtain	Red Oak
Slats	Wood slats, 1 5/8" (41 mm) high by 1/2" (13 mm) thick
Finish	Unfinished
Standard mounting	Face-of-wall, between jambs
Guides	Wood to match slats
Bottom bar	5 1/2" x 1 5/8"
Operation	Push-up
Lock	Thumbturn dead bolt
Warranty	OEM limited

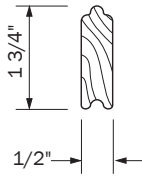
### Options

Crank or electric operation
Additional wood species: Douglas fir, white oak, birch, or exotic. Contact plant for additional options
Hood in wood to match slats or aluminum
Aluminum guides
Cylinder lock



**Slat data**

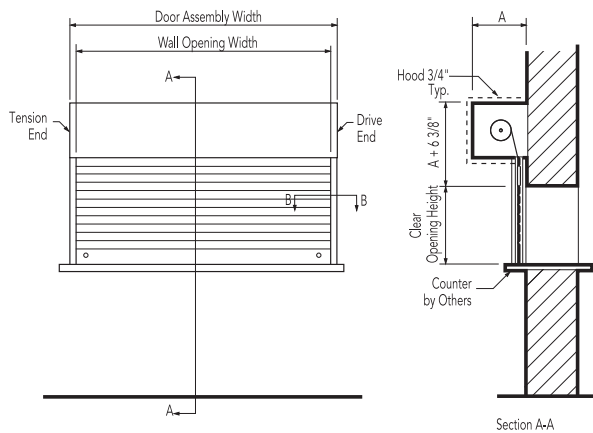
**Wood Slat**



**Door clearance elevations**

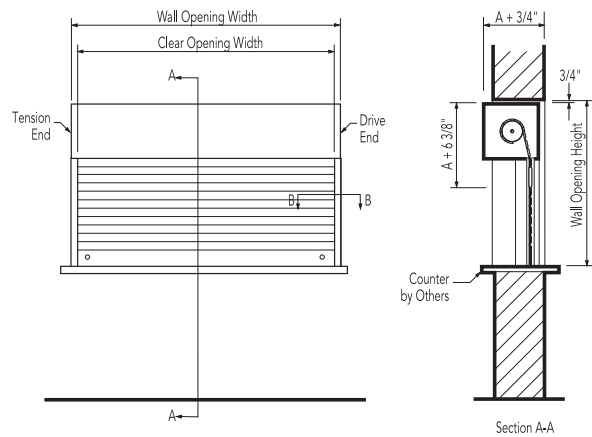
**Face-of-wall mounted**

Operation: Push-up, crank or electric



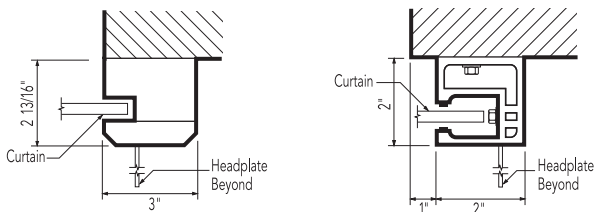
**Between jambs mounted**

Operation: Push-up, crank or electric



**Guides**

**Face-of-wall mounted**  
Wood guide | Aluminum guide

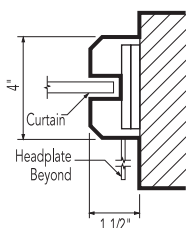


**Dimension A**

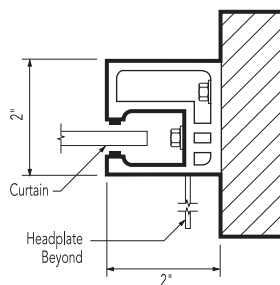
Opening height	A dimension - headplate width
Thru 4'6" (1370 mm)	10" (254 mm)
Thru 6'4" (1930 mm)	11" (279 mm)
Thru 8'4" (2540 mm)	13" (330 mm)

**Between jambs mounted - push-up operation**  
Wood guide | Aluminum guide

Tension & drive side  
Crank or electric operation:  
Tension side only

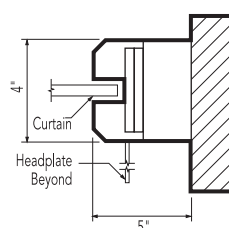


Tension & drive side  
Crank or electric operation:  
Tension side only

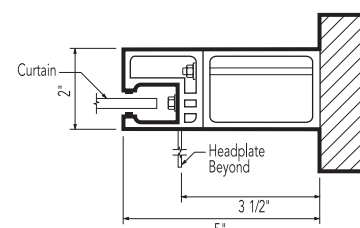


**Between jambs mounted - crank or electric operation**  
Wood guide | Aluminum guide

Drive side only



Drive side only



**Electric operators**

Our broad line of electric operators to suit new construction and retrofit applications, as well as unusual or special requirements. In order to improve safety and enhance door and motor life, industry quality assurance guidelines recommend the choice of a single manufacturer for both door and operator applications.

We are one of the only manufacturers to offer a full line of commercial and industrial doors and operators specifically designed for integral applications.

**Model CDX®**

Model CDX® is a gear-reduced commercial operator with a 1/2 HP motor. The CDX® operator may be used for doors up to 140 sq. ft. (13006 sq.mm). Mounting is front-of-hood only. Availability is dependent on weight of door.

**Model RMX®**

Model RMX® is our advanced medium-duty operator. It is designed for quicker installation and hassle-free operation and operates rolling doors up to 16' (4876 mm) in height and 580 pounds (263 kg).

**Model RSX®**

Model RSX® is a standard duty commercial operator designed to operate doors up to 24' (7315 mm) in height and 1620 pounds (735 kg). It offers unique features like LimitLock®, SuperBelt™ and 16 digit menu setup.

**Model RTM**

Model RTM is a tubular motor designed for counter doors. Mounting is in the barrel only.



**Safety recommendations**

We strongly recommend the use of interlock switches and an electric safety edge for all electrically operated rolling service doors. We recommend a self-monitoring, electric sensing edge.

**Entrapment protection: electric sensing edge**

The installation of an external reversing device for all electrically operated commercial doors is recommended. If a sensing edge or other reversing device is not installed, a constant-contact control switch must be used to close the door. We recommend a self-monitoring, electric sensing edge or photo cells required for all momentary contact applications.

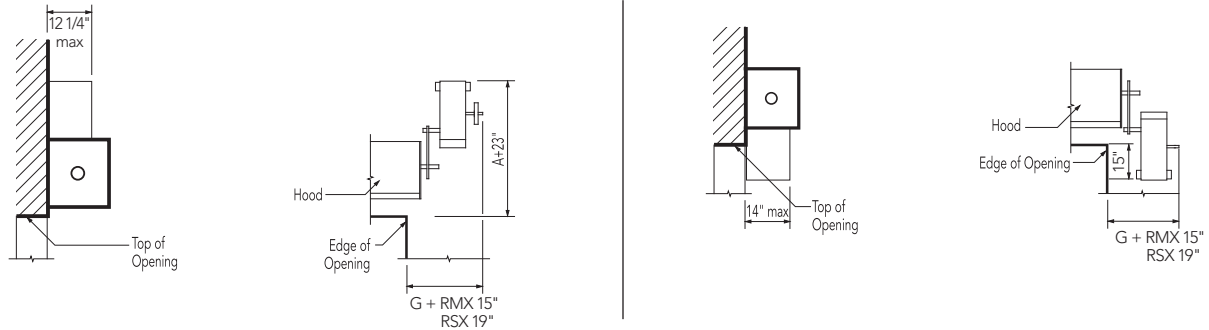


Mounting details

Wall mounted (above shaft) - RHX®/RSX®

Wall mounted (below shaft)

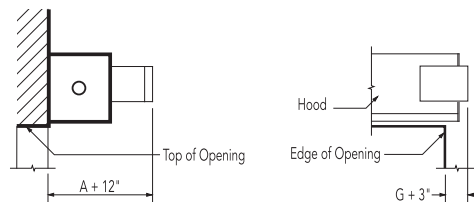
For 650/651/652 and 665 model doors



For "A" and "G" dimensions, refer to headroom and guide clearance dimension charts applicable to door type selected.

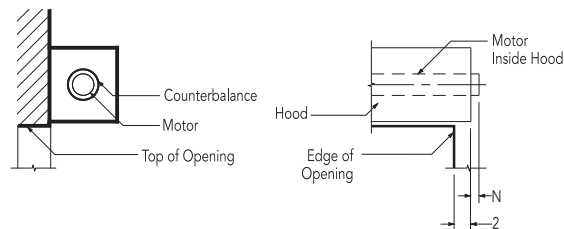
Front-of-hood mounted - CDX®

For 650/651/652 and 665 model doors



For "A" and "G" dimensions, refer to headroom and guide clearance dimension charts applicable to door type selected.  
 \* Front-of-hood mounted also available on between jambs mounted doors.

Barrel mounted - RTM



N = 2" without manual override.  
 N = 3 1/2" with built-in manual override.  
 Consult factory for project application. Operator models have height and torque limits.

For more detailed information, refer to our Architects Corner on our website or consult your local Overhead Door™ Company Distributor.



Integral frame counter door



## Architect's Corner

A resource for architects, containing comprehensive technical and resource materials to support your project, including drawings and specifications for commercial doors.

[overheaddoor.com](http://overheaddoor.com)

### The original, innovative choice for unequalled quality and service.

Overhead Door Corporation pioneered the sectional garage door industry, inventing the first sectional garage door in 1921 and the first electric door operator in 1926. Today, we continue to be the industry leader through the strength of our product innovation, superior craftsmanship and outstanding customer support, underscoring a legacy of quality, expertise and integrity. That's why design and construction professionals specify Overhead Door™ products more often than any other brand. Our family of over 400 Overhead Door™ Distributors across the U.S. and Canada not only share our name and logo, but also our commitment to excellence.



INDUSTRY LEADING  
COMMERCIAL & INDUSTRIAL SOLUTIONS



2501 S. State Hwy. 121 Bus., Suite 200, Lewisville, TX 75067  
1-800-929-DOOR • [sales@overheaddoor.com](mailto:sales@overheaddoor.com)  
[overheaddoor.com](http://overheaddoor.com)